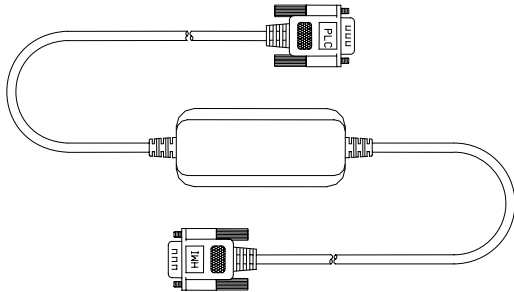


Siemens S7-300 MPI Converter



Features

- Direct connect MT500 / MT8000 and S7-300 MPI port
- Low cost
- Compact size.
- Without external power supply.

Introduction

The MPI cable converts the Siemens S7-300 MPI network to MT500 / MT8000 RS232.

Specifications

MT500 setting:

PLC type: Siemens S7/300 PC adapter

PLC I/F port: RS-232

Baud rate: 19200

Data bits: 8 Bits

Parity: Odd

Stop bits: 1Bit

HMI station No.: 0

PLC station No.: 2

Dimension (W x H x D): **75mm x 35mm x 18.2mm**

HMI RS232 cable length: **15cm**

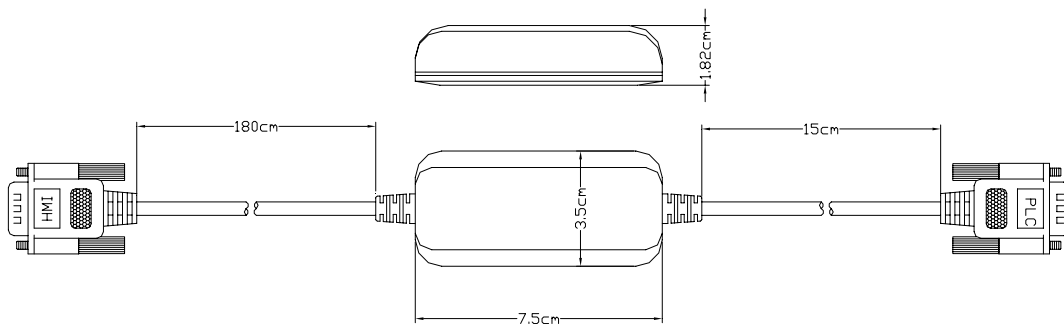
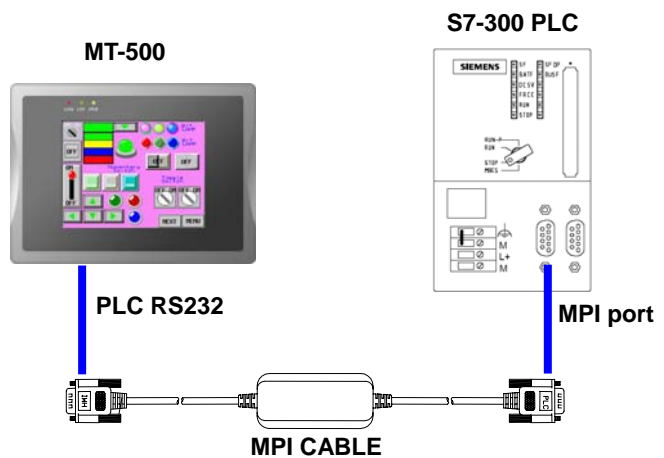
PLC side cable length: **180cm**

Power: **S7-300 MPI port supply.**

Ordering Information

□ MT5-MPI:
RZFMT5002 for MT500

□ MT8-MPI:
RZFMT5002 + RZ0232005 for MT8000



Null Modem connector



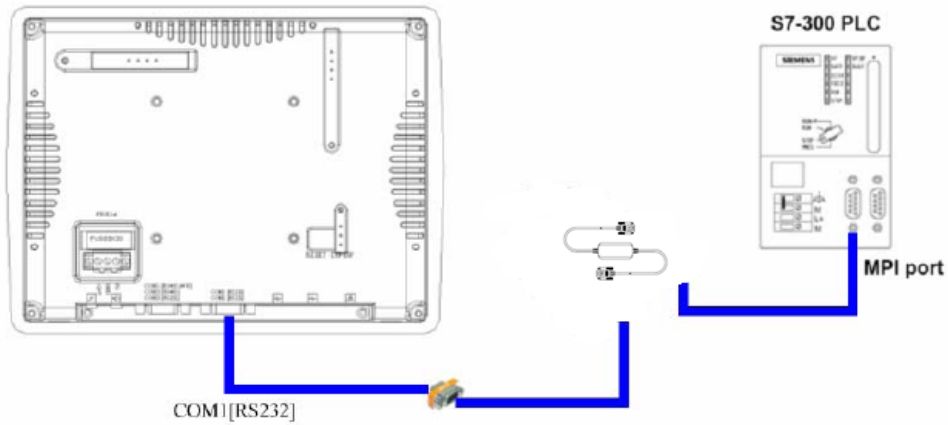
PIN OUT: 09Female		09Female
2	-----	3
3	-----	2
4	-----	1
5	-----	6
1	-----	5
6	-----	4
7	-----	8
8	-----	7
G	-----	G

P/N:RZ0232005

Application example:

For MT8000 Model

Example 1:



Example 2:

